

WM LIGHT-R

The WM LIGHT-R, made of aluminium, is extremely lightweight due to its spring-assisted system. Equipped with a quick connect and release system, the WM Light is easy to transfer from one vehicle to another once the simple location plates are installed. The ramp can be opened directly onto the ground without the use of feet and is available with an anti-slip aluminium surface or with mesh version.



DOCK LOADING PIN



QUICK CONNECTION SYSTEM



EQUIPPED WITH 2 MOBILE PLATES

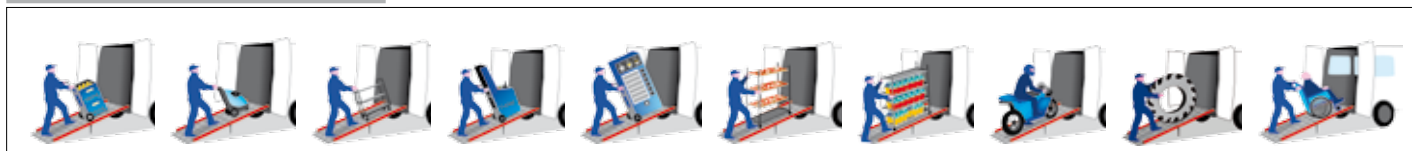


EQUIPPED WITH WHEELS

DIMENSIONS & LOAD CAPACITY



USES



WM LIGHT-R TECHNICAL DATA

POWER REQUIRED: approx 10 Kg

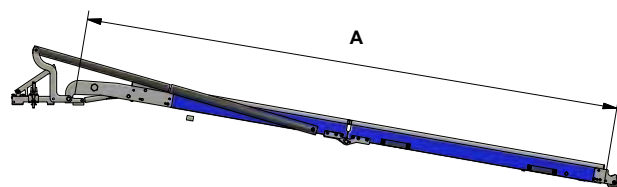
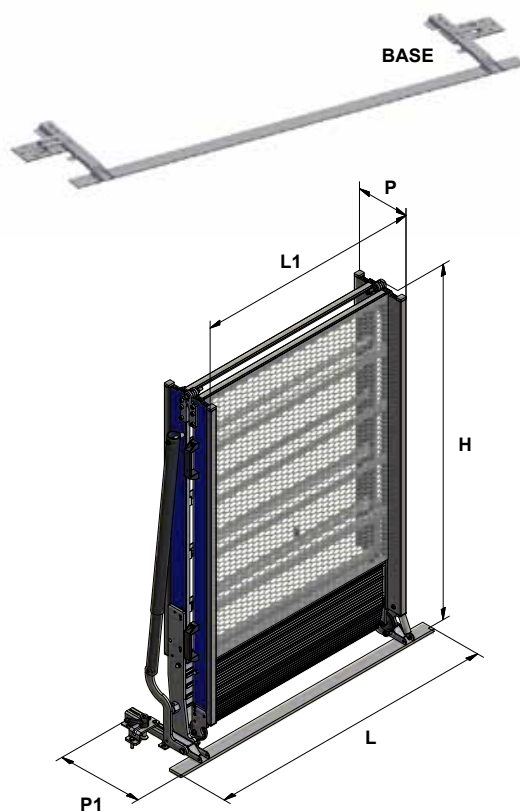
SPACE REQUIRED: approx 21 cm

WARRANTY: 2 years

| Model | A (cm) | H (mm) | L (mm) | L1 (mm) | L2 (mm) | P (mm) | P1 (mm) | Weight A* (Kg) |
|--------------|--------|--------|--------|---------|---------|--------|---------|----------------|
| WM LIGHT 80 | 1750 | 960 | 1100 | 800 | 1160 | 215 | 345 | 44 |
| WM LIGHT 80 | 2000 | 1085 | 1100 | 800 | 1160 | 215 | 345 | 48 |
| WM LIGHT 80 | 2250 | 1210 | 1100 | 800 | 1160 | 215 | 345 | 52 |
| WM LIGHT 80 | 2500 | 1335 | 1100 | 800 | 1160 | 215 | 345 | 56 |
| WM LIGHT 80 | 2750 | 1460 | 1100 | 800 | 1160 | 215 | 345 | 60 |
| WM LIGHT 80 | 3000 | 1585 | 1100 | 800 | 1160 | 215 | 345 | 64 |
| WM LIGHT 80 | 3250 | 1705 | 1100 | 800 | 1160 | 215 | 345 | 68 |
| WM LIGHT 100 | 1750 | 960 | 1300 | 800 | 1360 | 215 | 345 | 46 |
| WM LIGHT 100 | 2000 | 1085 | 1300 | 1000 | 1360 | 215 | 345 | 50,5 |
| WM LIGHT 100 | 2250 | 1210 | 1300 | 1000 | 1360 | 215 | 345 | 55 |
| WM LIGHT 100 | 2500 | 1335 | 1300 | 1000 | 1360 | 215 | 345 | 60 |
| WM LIGHT 100 | 2750 | 1460 | 1300 | 1000 | 1360 | 215 | 345 | 64,5 |
| WM LIGHT 100 | 3000 | 1585 | 1300 | 1000 | 1360 | 215 | 345 | 69 |
| WM LIGHT 100 | 3250 | 1705 | 1300 | 1000 | 1360 | 215 | 345 | 73,5 |

* The weight indicated does not include the fitting kit. The standard fitting kit weights 5 kg.

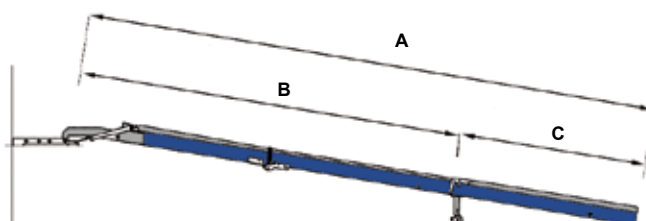
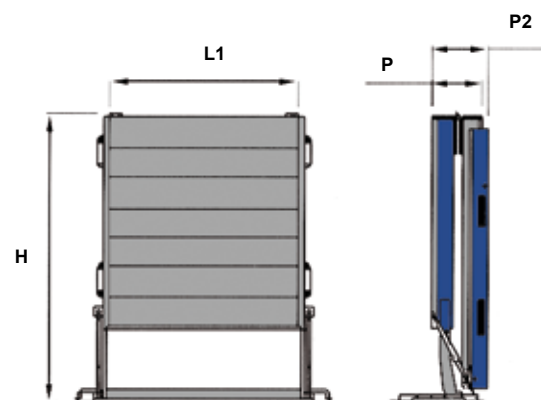
* The weight indicated does not include the swivel kit. The optional swivel kit, weights 6.7 Kg.



EXTENSION KIT

Extension kit of Light Serie fitted directly on the ramp

| KIT for: | L1 (cm) | B (mm) | C (mm) | A (mm) | H (mm) | P (mm) | P2 (mm) | Weight (Kg) |
|--------------|---------|--------|--------|--------|--------|--------|---------|-------------|
| WM LIGHT 80 | 800 | 1750 | 830 | 2580 | 960 | 215 | 245 | 24 |
| WM LIGHT 80 | 800 | 2000 | 955 | 2955 | 1085 | 215 | 245 | 25 |
| WM LIGHT 80 | 800 | 2250 | 1080 | 3330 | 1210 | 215 | 245 | 26 |
| WM LIGHT 80 | 800 | 2500 | 1205 | 3705 | 1335 | 215 | 245 | 27 |
| WM LIGHT 100 | 1000 | 1750 | 830 | 2580 | 960 | 215 | 245 | 25 |
| WM LIGHT 100 | 1000 | 2000 | 955 | 2955 | 1085 | 215 | 245 | 26 |
| WM LIGHT 100 | 1000 | 2250 | 1080 | 3330 | 1210 | 215 | 245 | 27 |
| WM LIGHT 100 | 1000 | 2500 | 1205 | 3705 | 1335 | 215 | 245 | 28 |



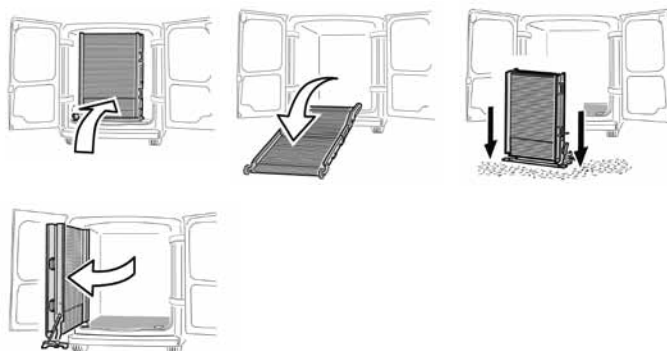
WM LIGHT-R VERSIONS

STANDARD:

WM Light-R detachable and free standing. A procedure that can be performed within a couple of minutes.

OPTIONAL:

WM Light-R with external rotation kit.



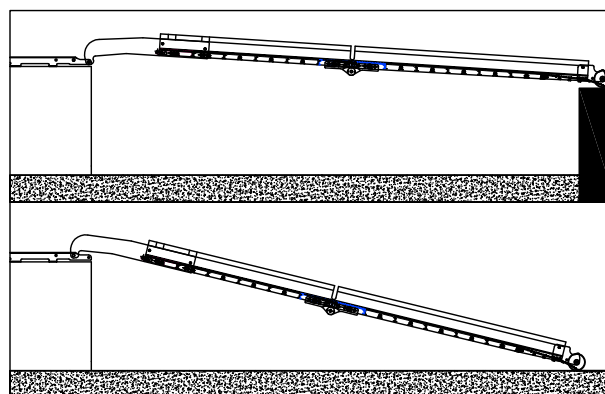
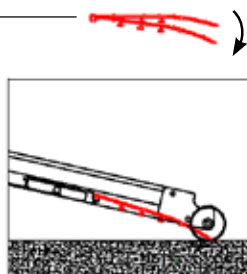
www.wmsystem.com

VERSIONS OF FLAP

The ramp is equipped with a flap on the bottom, that comes with a round edge as standard for dock loading. There are also two straight flap options to allow a smoother lip for smaller wheels on to the ground. These need to be specified on the order.

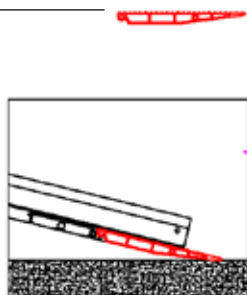
ROUND AND FLEXIBLE FLAP

STANDARD



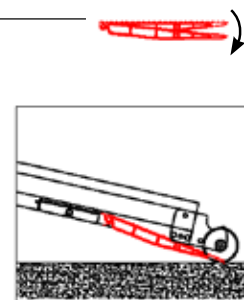
STRAIGHT AND FIXED FLAP

OPTIONAL 7AL100



STRAIGHT AND FLEXIBLE FLAP

OPTIONAL 7AL101



VERSIONS OF PLATFORM



A - Anti-slip aluminium

The material of the floor is anti-slip anodised aluminium, standard on the WM LIGHT. The maximum load capacity is 400 kg.



R - Aluminium expanded mesh

As an alternative you can have an aluminium expanded mesh surface, in the WM LIGHT-R version. The maximum load capacity is 300 kg and the widths available are 80 and 100 cm.

EXTENSION KIT



The extension kit is fitted directly on to the ramp, allowing the length of loading ramp to be extended, decreasing the slope.