



SYSTEM
WINNING MOVE

www.wmsystem.com

PROFESSIONAL | LIGHT | FAST



LOADING RAMPS

WE SOLVE ALL YOUR LOADING AND UNLOADING NEEDS,
WITH RAMPS MADE TO MEASURE FOR EVERY TYPE OF VEHICLE.

WM SYSTEM

A HISTORY OF INNOVATION

Since the time of its incorporation, WM System has been delivering adaptable solutions designed to meet people's needs. The development of each WM System product is guided by principles of simplicity, safety and quality along with a commitment to suit the needs of the end user.

The company has grown in line with these strategies, separating its operations into four separate divisions, all of which share the objective of lightening the load. Expanding on our expertise in commercial loading ramps, we have continued to develop products to meet the needs of our customers. With recent expansion into the access ramps sector, we are able to cater for all loading needs while maximising accessibility and promoting personal independence.

The latest model in our product range is called Dynamic. Dynamic is a futuristic mobile workstation designed to revolutionise the concept of mobile service and work. With the same objective of mobility, we developed our series of modular carts, which can be built up as required to facilitate and organise work.

All our products are manufactured in Italy using top quality materials. Genuine Italian design and production are just two of the reasons why our customers place their trust in our company and choose our products time after time. Owing to our passion and commitment to continuous research, we are the European leader in the loading ramps sector. Every year, new customers choose WM System as a reliable partner to help them in their business development process.



A COMPREHENSIVE SERVICE



BESPOKE TECHNICAL
ADVICE



TAILOR-MADE
DESIGN



100% ITALIAN
PRODUCTION



FAST DELIVERY
TIMES



AFTER-SALES
SERVICE

ALL WM SYSTEM RAMPS HAVE



TÜV QUALITY
CONFIRMATION



TYPE APPROVAL
NOT NEEDED



2 YEAR
WARRANTY



PATENTED
SYSTEM



ITALIAN
ENGINEERING

WHY CHOOSE OUR RAMPS?

FLEXIBILITY

Full range of manual
ramps suitable for all
sectors and all specific
needs

QUALITY

With our in-house welding
and CNC departments, we
can guarantee unbeatable
quality standards. Our
ramps are rugged and
durable

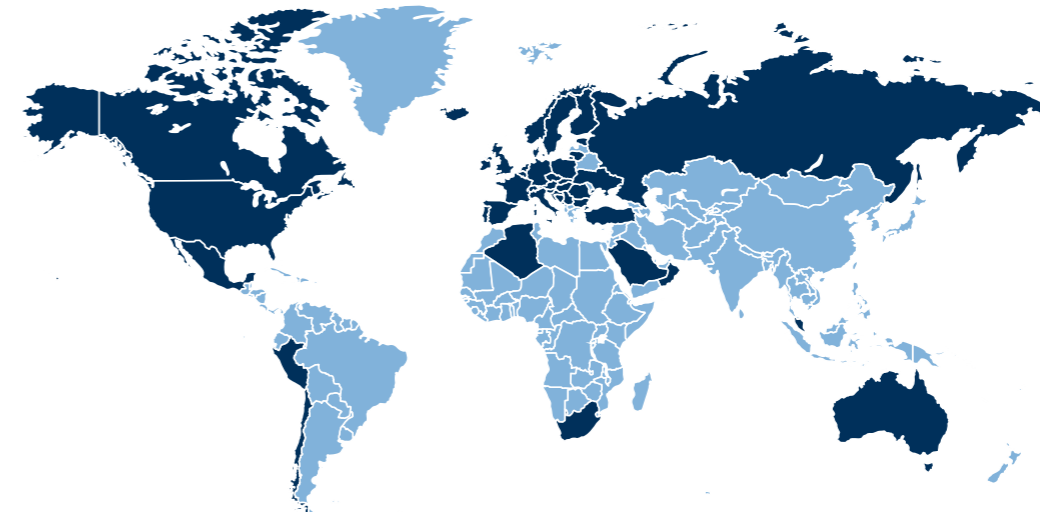
TIME SAVING

Reduced loading and
unloading times, with only a
single operator needed

SAFETY

Managed risks with
safer and better working
environment

THANKS TO OUR WORLDWIDE NETWORK OF DISTRIBUTORS, WE CAN PROVIDE EVERY CUSTOMER WITH CUSTOMISED SUPPORT AND ASSISTANCE



40

COUNTRIES IN WHICH
WE ARE PRESENT

WM PC

LOADING RAMP WITH CAPACITY OF UP TO 1800 KG, SUITABLE FOR LIGHT COMMERCIAL VEHICLES. MORE THAN 500 SIZES AVAILABLE

LOAD CAPACITY: UP TO 1800 KG



LOAD CAPACITY
600 / 1000 / 1500 / 1800 kg



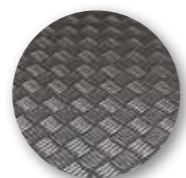
CUSTOMISED DIMENSIONS
Width from 60 to 137.5 cm
Length from 195 to 325 cm



HANDLING
External and internal swivelling



COLOUR
Red



Shot-blasted non-slip aluminium surface



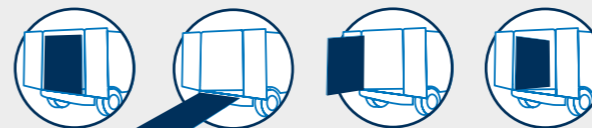
Wheel for assisted deployment



Self-positioning adjustable feet



Mobile contact flap to connect to the floor of the van



DEPLOYMENT AND CLOSING

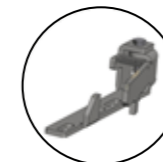
The PC is the most complete and practical of WM System's loading ramps. Suitable for most loading and weight requirements, it is extremely practical thanks to the patented horizontal swivel opening. The spring system balances the weight of the ramp during use, allowing it to be handled safely and easily by a single operator.

OPTIONAL EXTRAS



INTERNAL LATCH

Latch to secure the ramp in its fully swivelled position inside the vehicle.



WIND SAFETY KIT

Allows the ramp to be secured when swivelled fully outward. This feature ensures that gusts of wind cannot cause the ramp to rotate, with the risk of striking persons or objects.



SUPPLEMENTARY 3RD PIECE KIT

Reduces the ramp angle and results in three folding ramp sections. Ideal for use with small vehicles. Available with capacities up to 1,000 kg, max. width of 100 cm and fixed length of 80 cm.



REMOVABLE EXTENSION KIT

Third removable piece equipped with wheels, to be added to the ramp when necessary. Available for capacities up to 1500 kg.

APPLICATION SECTORS



CLEANING EQUIPMENT



BUILDING CONSTRUCTION



LAUNDRY TROLLEYS



GARDENING LAWN TRACTORS QUAD BIKES



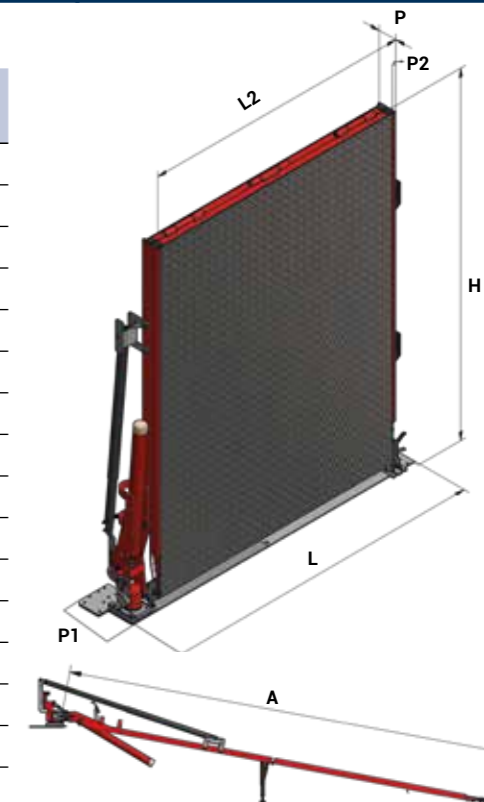
VENDING MACHINES VIDEO SLOT MACHINES



PALLETS

EXAMPLE MODELS	A (mm)	L (mm)	L2 (mm)	H (mm)	P (mm)	P1 (mm)	P2 (mm)	Capac. (Kg)	Weight* (Kg)
PC 90	2200	1165	900	1215	95	250	8	600	81
PC 95	2500	1215	950	1365	95	250	8	600	88
PC 100	3000	1265	1000	1615	95	250	8	1000	106
PC 100	3250	1265	1000	1740	95	250	8	1500	124
PC 105	2700	1315	1050	1515	95	250	8	600	96
PC 110	3000	1365	1100	1615	95	250	8	1500	131
PC 110	2500	1365	1100	1365	95	250	8	1000	106
PC 120	2700	1465	1200	1465	95	250	8	1000	117
PC 120	3250	1465	1200	1740	95	250	8	1500	148
PC 125	2800	1515	1250	1515	95	250	8	1000	128
PC 125	3000	1515	1250	1615	95	250	8	1500	145
PC 130	3000	1565	1300	1615	95	250	8	1000	139
PC 130	3250	1565	1300	1740	95	250	8	1500	159
PC 135	3200	1615	1350	1715	95	250	8	1500	160
PC 135	3250	1615	1350	1740	95	250	8	1800	171

* The specified weight does not include the installation kit, which depends on the van (min. 2 kg - max. 7 kg)



WM ME

SIMPLE AND ROBUST
LOADING RAMP.
SUITABLE FOR HEAVY
LOADS, CAPACITY FROM
600 KG TO 1800 KG

LOAD CAPACITY: UP TO 1800 KG



LOAD CAPACITY
600 / 1000 / 1500 /
1800 kg



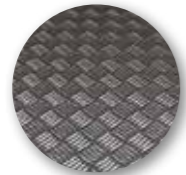
**CUSTOMISED
DIMENSIONS**
Width from
60 to 137.5 cm
Length from
195 to 325 cm



HANDLING
Horizontal
deployment



COLOUR
Green



Anti-slip rice-pattern
aluminium platform



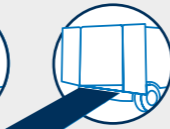
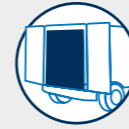
Wheel for assisted
deployment



Self-positioning
adjustable feet



Mobile contact flap to connect
to the floor of the van



DEPLOYMENT AND CLOSING

The ME ramp is popular for customers needing to load heavy equipment. Deployment of the ramp is simple and quick, thanks to its spring-assisted, fixed vertical, two-section opening. A double-spring version can be supplied on request for larger versions.

OPTIONAL EXTRAS



LEFT HAND SIDE WHEEL KIT

Designed to facilitate ramp deployment, closing and handling. Right hand as standard, or available on left-hand side as an option.



FOLDING SAFETY EDGES

Aluminium safety edges to enhance safety in certain operating conditions.



SUPPLEMENTARY 3RD PIECE KIT

Reduces the ramp angle and results in three folding ramp sections. Ideal for use with small vehicles. Available with capacities up to 1,000 kg, max. width of 100 cm and fixed length of 80 cm.



REMOVABLE EXTENSION KIT

Third removable piece equipped with wheels, to be added to the ramp when necessary. Available for capacities up to 1500 kg, with maximum width of 100 cm.

APPLICATION SECTORS



GARDENING
LAWN
TRACTORS



BUILDING
CONSTRUCTION



QUAD BIKES



CLEANING
MACHINES



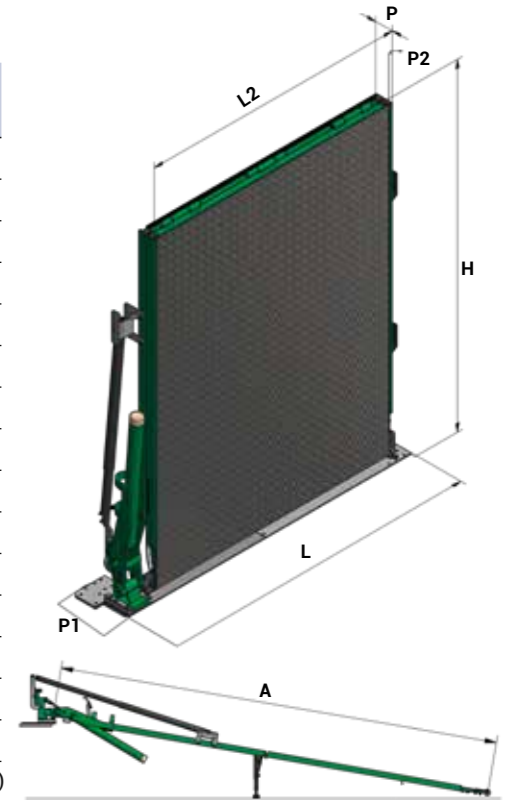
PALLET
TRUCKS



PALLETS

EXAMPLE MODELS	A (mm)	L (mm)	L2 (mm)	H (mm)	P (mm)	P1 (mm)	P2 (mm)	Capac. (Kg)	Weight* (Kg)
ME 90	2200	1165	900	1215	95	250	8	600	79
ME 95	2500	1215	950	1365	95	250	8	600	86
ME 100	3000	1265	1000	1615	95	250	8	1000	104
ME 100	3250	1265	1000	1740	95	250	8	1500	122
ME 105	2700	1315	1050	1515	95	250	8	600	94
ME 110	3000	1365	1100	1615	95	250	8	1500	129
ME 110	2500	1365	1100	1365	95	250	8	1000	104
ME 120	2700	1465	1200	1465	95	250	8	1000	115
ME 120	3250	1465	1200	1740	95	250	8	1500	146
ME 125	2800	1515	1250	1515	95	250	8	1000	126
ME 125	3000	1515	1250	1615	95	250	8	1500	143
ME 130	3000	1565	1300	1615	95	250	8	1000	137
ME 130	3250	1565	1300	1740	95	250	8	1500	157
ME 135	3200	1615	1350	1715	95	250	8	1500	158
ME 135	3250	1615	1350	1740	95	250	8	1800	169

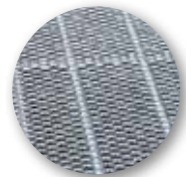
* The specified weight does not include the installation kit, which depends on the van. (min. 2 kg - max. 7 kg)



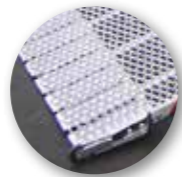
WM PC-R WM ME-R

LOADING RAMP WITH ANTI-SLIP MESH PLATFORM, SUITABLE FOR LOADING EQUIPMENT WITH LARGE TYRED WHEELS

LOAD CAPACITY: UP TO 500 KG



Anti-slip mesh platform



Wheel for assisted deployment



Self-positioning adjustable feet



Mobile contact flap to connect to the floor of the van



DEPLOYMENT AND CLOSING

The PC-R and ME-R offer excellent grip for loading goods with large, tyred wheels. The galvanised, expanded metal surface is extremely durable and allows for easy cleaning. Both have the patented, spring-assisted vertical opening for ease of use, with the horizontal swivel offered on the PC-R.

OPTIONAL EXTRAS



FOLDING SAFETY EDGES

Aluminium safety edges to enhance safety in certain operating conditions.



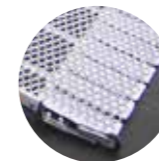
SPECIAL FEET

For loading machines with very low ground clearance, special feet can be supplied to create two different ramp slopes for easier ascent. The specified weight does not include the installation kit, which depends on the van. (min. 2kg - max. 7 kg)



SUPPLEMENTARY 3RD PIECE KIT

Reduces the ramp angle and results in three folding ramp sections. Ideal for use with small vehicles. Available with capacities up to 1,000 kg, max. width of 100 cm and fixed length of 80 cm.



LEFT HAND SIDE WHEEL KIT

Designed to assist the ramp deployment further on to hard ground.

APPLICATION SECTORS



GARDENING
LAWN
TRACTORS



MOTORBIKES
BICYCLES



QUAD BIKES



LOAD CAPACITY
500 kg



CUSTOMISED DIMENSIONS

Width from 60 to 137.5 cm
Length from 195 to 325 cm



HANDLING

PC-R internal-external swivelling
ME-R horizontal deployment



PC-R COLOUR

Blue

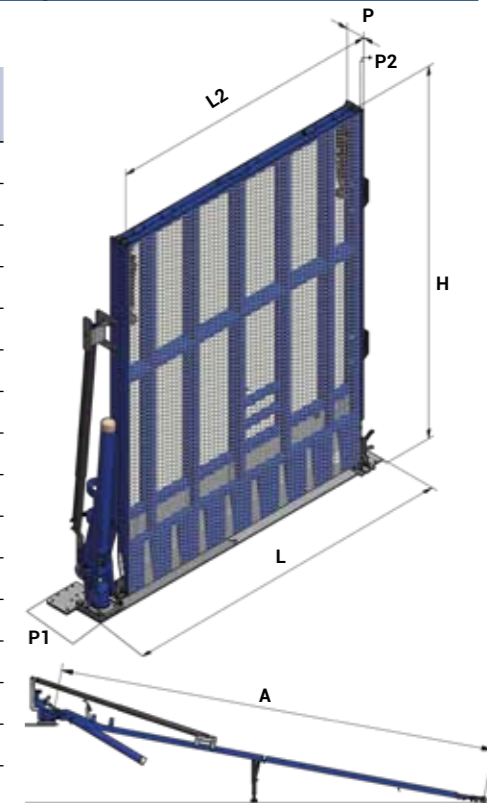


ME-R COLOUR

Green

EXAMPLE MODELS	A (mm)	L (mm)	L2 (mm)	H (mm)	P (mm)	P1 (mm)	P2 (mm)	Capac. (Kg)	Weight* (Kg)
PC-R/ME-R 90	2200	1165	900	1215	95	250	8	600	80
PC-R/ME-R 95	2500	1215	950	1365	95	250	8	600	87
PC-R/ME-R 100	3000	1265	1000	1615	95	250	8	1000	105
PC-R/ME-R 100	3250	1265	1000	1740	95	250	8	1500	123
PC-R/ME-R 105	2700	1315	1050	1515	95	250	8	600	95
PC-R/ME-R 110	3000	1365	1100	1615	95	250	8	1500	130
PC-R/ME-R 110	2500	1365	1100	1365	95	250	8	1000	105
PC-R/ME-R 120	2700	1465	1200	1465	95	250	8	1000	116
PC-R/ME-R 120	3250	1465	1200	1740	95	250	8	1500	147
PC-R/ME-R 125	2800	1515	1250	1515	95	250	8	1000	127
PC-R/ME-R 125	3000	1515	1250	1615	95	250	8	1500	144
PC-R/ME-R 130	3000	1565	1300	1615	95	250	8	1000	138
PC-R/ME-R 130	3250	1565	1300	1740	95	250	8	1500	158
PC-R/ME-R 135	3200	1615	1350	1715	95	250	8	1500	159
PC-R/ME-R 135	3250	1615	1350	1740	95	250	8	1800	170

* The specified weight does not include the installation kit, which depends on the van. (min. 2 kg - max. 7 kg)



WM LIGHT PLUS

STRONG, LIGHTWEIGHT ALUMINIUM LOADING RAMP FOR LOADS OF UP TO 600 KG. WITH EXTERNAL SWIVEL FUNCTION FOR RAPID ACCESS TO THE VAN'S CARGO AREA.

LOAD CAPACITY: UP TO 600 KG



LOAD CAPACITY
400 kg and 600 kg

CUSTOMISED DIMENSIONS
Width from 40 to 120 cm
Length from 175 to 325 cm

HANDLING
External swivelling

COLOUR
Blue



Anti-slip anodised aluminium platform



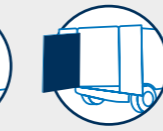
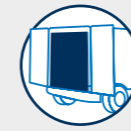
Flexible contact plate to the van floor



Two wheels for easy deployment



Safety edges (6 cm)



OPTIONAL

DEPLOYMENT AND CLOSING

The WM Light Plus ramp is constructed from reinforced aluminium making it lightweight and very easy to use due to its patented spring-assisted system. The built-in swivel feature allows the ramp to pivot externally at 90 degrees giving the operator full access to the rear of the vehicle when required. The anti-slip surface provides a safe loading platform with raised lateral anti-fall edges increasing load safety. The ramp can swivel internally with an optional kit.

OPTIONAL EXTRAS



INTERNAL SWIVELLING

Swivel kit that makes it possible to rotate the ramp through 90° toward the interior of the van. Complete with a special latch, to which the ramp is secured inside the van.



PERFORATED PLATFORM

WM System exclusive platform style. Platform surface in perforated aluminium with alternated convex holes. For maximum grip in the presence of water, rain and snow. Exceptionally light weight.



FLEXIBLE PLATE FOR DOCK-LOADING

By using a supplied pin, the ramp can be locked open to allow dock, or vehicle to vehicle loading at various heights.



SUPPLEMENTARY 3RD PIECE KIT

Reduces the ramp angle and results in 3 folding ramp sections. Ideal for use with small vehicles. Available for load capacities up to 600 kg. Max. width of 100 cm and fixed length of 80 cm.

APPLICATION SECTORS



HEALTHCARE & MEDICAL



CATERING



EVENTS & CONCERTS



GENERAL CLEANING EQUIPMENT



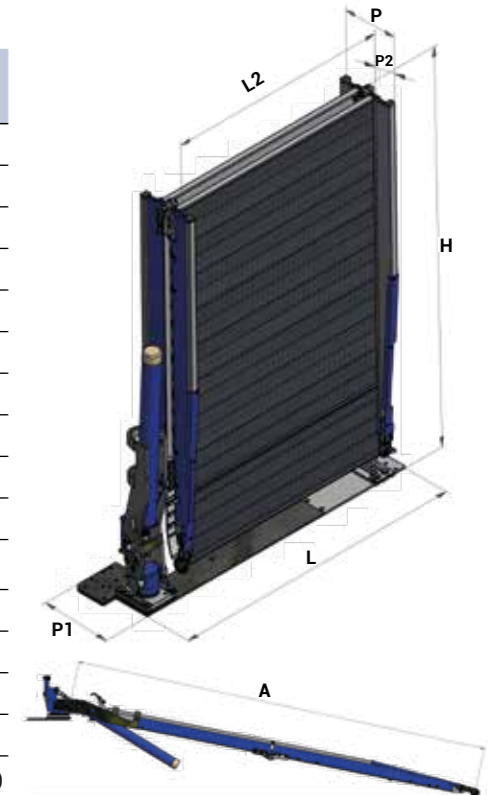
MOTORBIKES & BICYCLES



LAUNDRY TROLLEYS

EXAMPLE MODELS	A (mm)	L (mm)	L2 (mm)	H (mm)	P (mm)	P1 (mm)	P2 (mm)	Capac. (Kg)	Weight* (Kg)
PLUS 80	2000	1065	800	1175	203	250	60	600	71
PLUS 90	2250	1165	900	1300	203	250	60	600	78
PLUS 90	2500	1165	900	1425	203	250	60	600	83
PLUS 95	2000	1215	950	1175	203	250	60	600	76
PLUS 95	2750	1215	950	1550	203	250	60	600	89
PLUS 100	2500	1265	1000	1425	203	250	60	400	87
PLUS 100	3000	1265	1000	1675	203	250	60	400	96
PLUS 100	3250	1265	1000	1800	203	250	60	400	101
PLUS 105	2500	1315	1050	1425	203	250	60	400	89
PLUS 105	3000	1315	1050	1675	203	250	60	400	98
PLUS 110	2750	1365	1100	1550	203	250	60	400	96
PLUS 110	3250	1365	1100	1800	203	250	60	400	106
PLUS 120	2500	1465	1200	1425	203	250	60	400	95
PLUS 120	3000	1465	1200	1675	203	250	60	400	105
PLUS 120	3250	1465	1200	1800	203	250	60	400	111

* The specified weight does not include the installation kit, which depends on the van. (min. 2 kg - max. 7 kg)



WM LIGHT

DETACHABLE LOADING RAMP. THIS IS THE MOST VERSATILE MODEL IN THE WM RANGE, ESPECIALLY SUITABLE FOR LIGHT LOADS OF UP TO 400 KG.

LOAD CAPACITY
400 kg

CUSTOMISED DIMENSIONS
Width from 40 to 105 cm
Length from 150 to 325 cm

HANDLING
Removable

COLOUR
Blue

LOAD CAPACITY: UP TO 400 KG



Anti-slip anodised aluminium platform



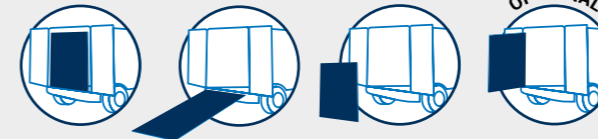
Flexible contact plate to the van floor



Two wheels for easy deployment



Quick release and coupling



DEPLOYMENT: The WM Light is extremely lightweight, using both spring and gas strut assistance. An external swivel kit is supplied on request, making it possible to gain access to the van like a second door.

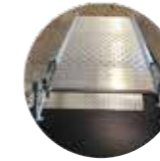
DETACHABLE AND VERSATILE: Quick release handles allow for easy removal of the ramp, leaving the load area unobstructed. The keyhole locating plates allow for easy and quick transfer between vehicles.

OPTIONAL EXTRAS



EXTERNAL SWIVELLING

Swivel kit that makes it possible to rotate the ramp through 90° toward the exterior of the van. Allows access to the van's cargo area without using the ramp.



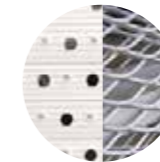
FIXED INSTALLATION

A fixed base can be mounted to the ramp on request. This means the ramp becomes fixed and can no longer be removed from the van. This solution simplifies and streamlines installation operations. The specified weight does not include the installation kit, 5 kg. The external swivelling optional weighs +6 kg.



GANGWAY CONFIGURATION

Thanks to a special pin that locks the hinge, the ramp can be used in gangway mode to connect two surfaces at different heights (vehicles and steps, loading docks, etc...)



PLATFORM VERSIONS

The ramp is available with a platform surface in perforated aluminium with alternated convex holes, WM LIGHT-F model. This improves the platform's anti-slip properties while retaining the 400 kg load capacity. An aluminium extended mesh version, known as WM LIGHT-R, is available as an alternative. Max. load capacity: 300 kg.

APPLICATION SECTORS



CLEANING EQUIPMENT



CATERING



MOTORBIKES BICYCLES



ELECTRICIANS PLUMBING AND HEATING ENGINEERS



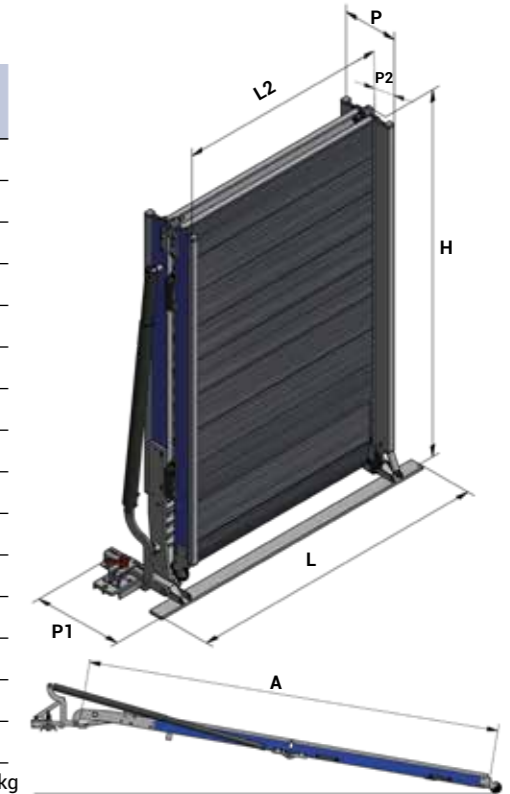
MEDICAL AMBULANCES



EVENTS CONCERTS

EXAMPLE MODELS	A (mm)	L (mm)	L2 (mm)	H (mm)	P (mm)	P1 (mm)	P2 (mm)	Capac. (Kg)	Weight* (Kg)
LIGHT 60	2000	900	600	1090	203	345	60	400	46
LIGHT 65	2250	950	650	1215	203	345	60	400	51
LIGHT 70	2000	1000	700	1090	203	345	60	400	49
LIGHT 75	2500	1050	750	1340	203	345	60	400	58
LIGHT 80	2750	1100	800	1465	203	345	60	400	64
LIGHT 80	3000	1100	800	1590	203	345	60	400	68
LIGHT 80	3250	1100	800	1715	203	345	60	400	72
LIGHT 85	2500	1150	850	1340	203	345	60	400	62
LIGHT 85	3250	1150	850	1715	203	345	60	400	75
LIGHT 90	3000	1200	900	1590	203	345	60	400	73
LIGHT 95	2750	1250	950	1465	203	345	60	400	71
LIGHT 100	2500	1300	1000	1340	203	345	60	400	68
LIGHT 100	2750	1300	1000	1465	203	345	60	400	73
LIGHT 100	3000	1300	1000	1590	203	345	60	400	78
LIGHT 105	3250	1350	1050	1715	203	345	60	400	85

* The specified weight does not include the installation kit, 5 kg. The external swivelling optional weighs +6 kg



WM EASY

LOADING RAMP WITH LATERAL POSITIONING, AGILE AND EASY TO USE. LEAVES THE VAN'S CARGO AREA UNOBSTRUCTED AT ALL TIMES.

LOAD CAPACITY: UP TO 300 KG



Anti-slip anodised aluminium perforated platform



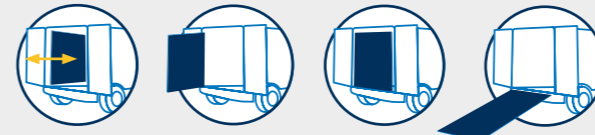
Lateral positioning for minimum space requirements



Safety edges



Flexible contact plate to the van floor



DEPLOYMENT AND CLOSING

Designed with the evolving light commercial vehicle market in mind, the innovative WM EASY enhances our range. The EASY has the unique feature of being able to both swivel and slide out of the way as needed, leaving maximum space in the loading area. This ramp is popular with customers using side loading doors.

OPTIONAL EXTRAS

RIGHT-HAND VERSION

On request, the ramp can be mounted to the right-hand side of the van, inverting the swivel direction. It is also possible to open the ramp in the vertical direction, like a second door. This system makes it possible to gain access to the van's cargo area without using the ramp.



APPLICATION SECTORS



MEDICAL AMBULANCES



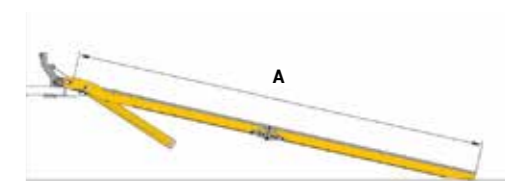
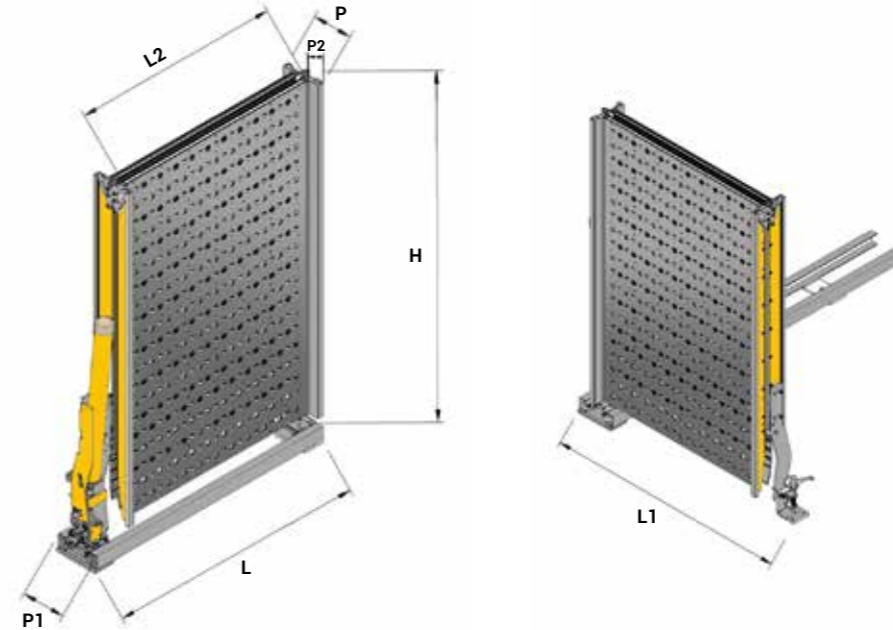
MOBILITY PASSENGER TRANSPORT



COURIERS EQUIPMENT HIRE FIRMS

UNOBSTRUCTED CARGO AREA:

- LATERAL POSITIONING
- ACCESS ALWAYS UNOBSTRUCTED
- NO OBSTACLES ON PLATFORM



ALL MODELS	A (mm)	L (mm)	L1 (mm)	L2 (mm)	H (mm)	P (mm)	P1 (mm)	P2 (mm)	Capac. (kg)	Weight* (kg)
EASY	2000	1170	1180	800	1180	155	250	45	300	71
EASY	2250	1170	1180	800	1305	155	250	45	300	74
EASY	2500	1170	1180	800	1430	155	250	45	300	78
EASY	2750	1170	1180	800	1555	155	250	45	300	81
EASY	3000	1170	1180	800	1680	155	250	45	300	85

* The specified weight includes the installation kit.



LOAD CAPACITY
300 kg

STANDARD DIMENSIONS

Width 80 cm
Length 200, 225, 250, 275 and 300 cm

HANDLING

Swivel and Slide

COLOUR

Yellow

WM SUPERLIGHT

REMOVABLE, LIGHT-WEIGHT AND PRACTICAL LOADING RAMP WITH ANODISED ALUMINIUM ANTI-SLIP PLATFORM.

LOAD CAPACITY: UP TO 250 KG



Anti-slip aluminium platform with relief pattern



Safety edges (6 cm)



Gas strut for easy handling



Quick release and coupling.



DEPLOYMENT: The WM Superlight is extremely lightweight, using both spring and gas strut assistance. An external swivel kit is supplied on request, making it possible to gain access to the van like a second door.

REMOVABILITY AND TRANSPORT: Quick release handles allow for easy removal of the ramp, leaving the load area unobstructed. The keyhole locating plates allow for easy and quick transfer between vehicles.

OPTIONAL EXTRAS



FIXED INSTALLATION

A fixed base can be mounted to the ramp on request. This means the ramp becomes fixed and can no longer be removed from the van. This solution simplifies and streamlines installation operations.



EXTERNAL SWIVELLING

Swivel kit that makes it possible to rotate the ramp through 90° toward the exterior of the van. This system makes it possible to gain access to the van's cargo area without using the ramp (e.g. for loading pallets with a forklift truck).

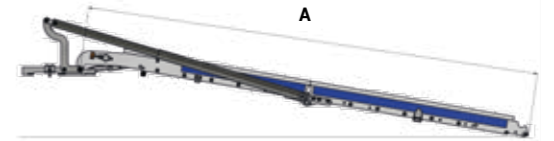
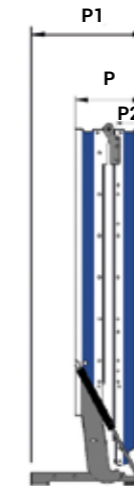
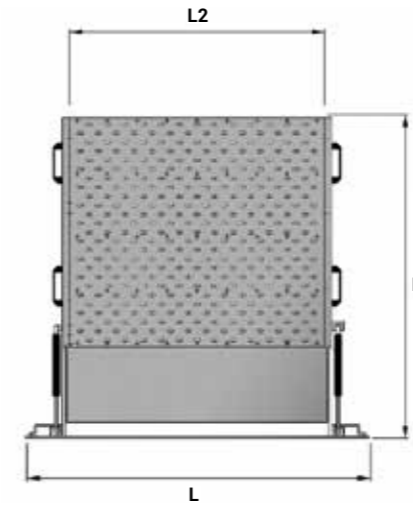
APPLICATION SECTORS



MEDICAL AMBULANCES



DISABLED USERS PASSENGER TRANSPORT



ALL MODELS	A (mm)	L (mm)	L2 (mm)	H (mm)	P (mm)	P1 (mm)	P2 (mm)	Capac. (kg)	Weight* (kg)
SUPERLIGHT	2000	1100	850	1085	215	345	60	250	40
SUPERLIGHT	2250	1100	850	1210	215	345	60	250	45
SUPERLIGHT	2500	1100	850	1335	215	345	60	250	50

* The specified weight does not include the installation kit, 5 kg. The external swivelling optional weighs +6 kg

WM MOBILE

MOBILE LOADING RAMP. THE RAMP FOLDS INTO 2 SO IT CAN BE EASILY TRANSPORTED, AND IT FEATURES REST-ON TYPE DESIGN SO IT DOES NOT REQUIRE ANY INSTALLATION OPERATIONS.

LOAD CAPACITY: UP TO 300 KG



Aluminium anti-slip platform



Adjustable floor contact flap



Safety edges (5 cm)



Four wheels and two handles for easy transport

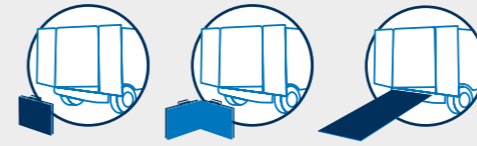


LOAD CAPACITY
300 kg

CUSTOMISED DIMENSIONS
Width from 30 to 100 cm
Length from 150 to 325 cm

HANDLING
Mobile

COLOUR
Green



REMOVABILITY AND TRANSPORT

Mobile ramp without installation requirements: simply rests on the van floor. The special rest-on system is adjustable and features 4 alternative positions for perfect adaptation to different vehicle heights.

OPTIONAL EXTRAS



ANODISED PLATFORM

For enhanced durability and aesthetics, the aluminium ramp can be supplied with an anodised surface treatment.



ONE-PIECE RAMP

The central hinges can be locked to obtain a non-folding one-piece ramp.

APPLICATION SECTORS



GENERAL CLEANING



ELECTRICIANS
PLUMBING
AND HEATING
ENGINEERS



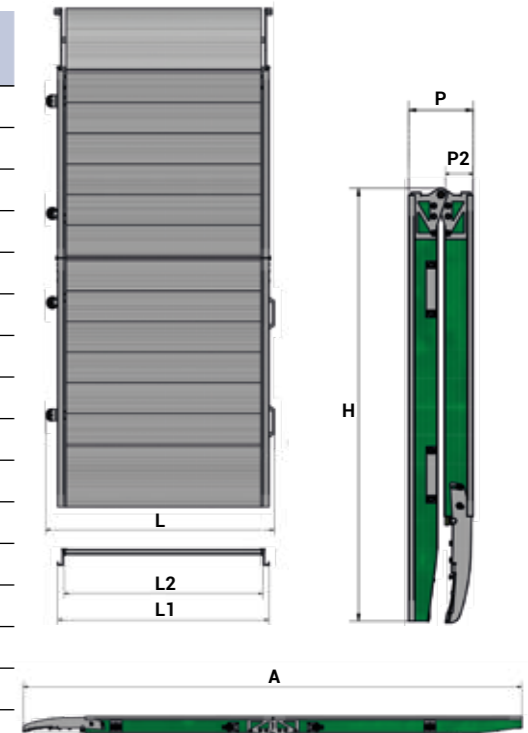
MOTORBIKES
BICYCLES



EVENTS
CONCERTS

EXAMPLE MODELS	A (mm)	L (mm)	L1 (mm)	L2 (mm)	H (mm)	P (mm)	P2 (mm)	Capac. (kg)	Weight (kg)
MOBILE 40	1750	536	465	400	905	155	45	300	21
MOBILE 50	2250	636	565	500	1155	155	45	300	29
MOBILE 60	2500	736	665	600	1280	155	45	300	35
MOBILE 65	2750	786	715	650	1405	155	45	300	40
MOBILE 70	3000	836	765	700	1530	155	45	300	45
MOBILE 70	2000	836	765	700	1030	155	45	300	32
MOBILE 75	2500	886	815	750	1280	155	45	300	40
MOBILE 80	2000	936	865	800	1030	155	45	300	28
MOBILE 80*	2500	936	865	800	1280	155	45	300	33
MOBILE 80*	3000	936	865	800	1530	155	45	300	39
MOBILE 80*	3250	936	865	800	1655	155	45	300	53
MOBILE 85	2000	986	915	850	1030	155	45	300	37
MOBILE 90	3000	1036	965	900	1530	155	45	300	54
MOBILE 100	2500	1136	1065	1000	1280	155	45	300	49
MOBILE 100	3000	1136	1065	1000	1530	155	45	300	58

* lightweight version



WM TELESCOPIC

PRACTICAL, EASY TO USE MOBILE TELESCOPIC RAMP. IN PERFORATED ANTI-SLIP ALUMINIUM WITH SAFETY EDGES.

LOAD CAPACITY: UP TO 300 KG PER PAIR OF RAMPS

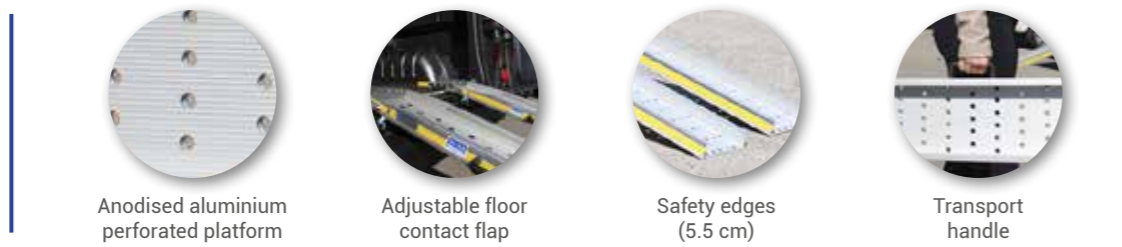


LOAD CAPACITY
300 kg per pair

STANDARD DIMENSIONS
Width 18.5 cm
Length 150, 200, 225, 250 and 300 cm

HANDLING
Mobile

COLOUR
Yellow



REMOVABILITY AND TRANSPORT

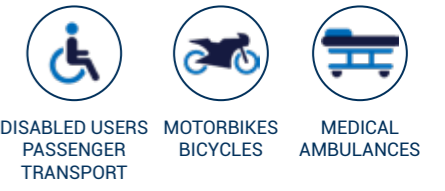
The WM Telescopic is unique in the way it can be extended to the required length. This ramp offers a rest-on, folding contact plate for safe and secure loading. These can be supplied individually or as a pair as required.

OPTIONAL EXTRAS

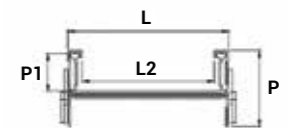
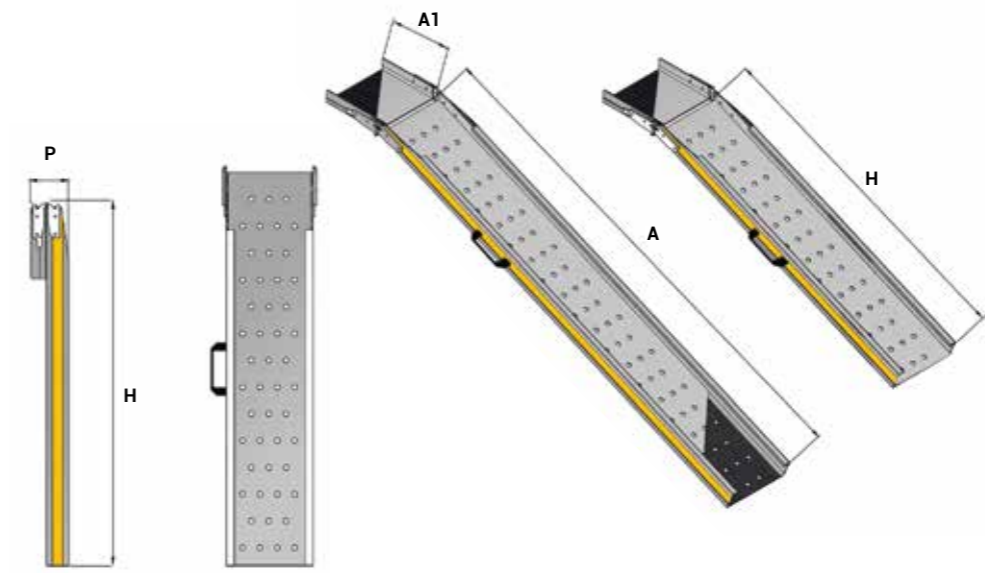


ECO VERSION
ECO version also available: unperforated loading platform, without taper in the contact flap and without yellow colour on safety edges.

APPLICATION SECTORS



CONTACT FLAP:
• TAPERED
• WITH 4 HEIGHT SETTINGS
• REST-ON (20 CM CONTACT LENGTH ON PLATFORM)
• FOLDING



ALL MODELS	A (mm)	A1 (mm)	L (mm)	L2 (mm)	H (mm)	P (mm)	P1 (mm)	Load capacity per pair (kg)	Weight (kg)
WM TELESCOPIC	1500	200	225	185	900	106	55	300	5
WM TELESCOPIC	2000	200	225	185	1150	106	55	300	6
WM TELESCOPIC	2250	200	225	185	1275	106	55	300	6,5
WM TELESCOPIC	2500	200	225	185	1400	106	55	300	7
WM TELESCOPIC	3000	200	225	185	1650	106	55	300	8

A RAMP FOR EVERY NEED



A WORLD FULL OF SOLUTIONS



WM SYSTEM S.r.l.
BUSINESS PREMISES - Via Campogrande 94/96
REGISTERED OFFICE - Via 2 Giugno, 5
42047 ROLO (Reggio Emilia) - ITALY
Tel. +39 0522 665664 - Fax +39 0522 660327 - info@wmsystem.com

www.wmsystem.com

